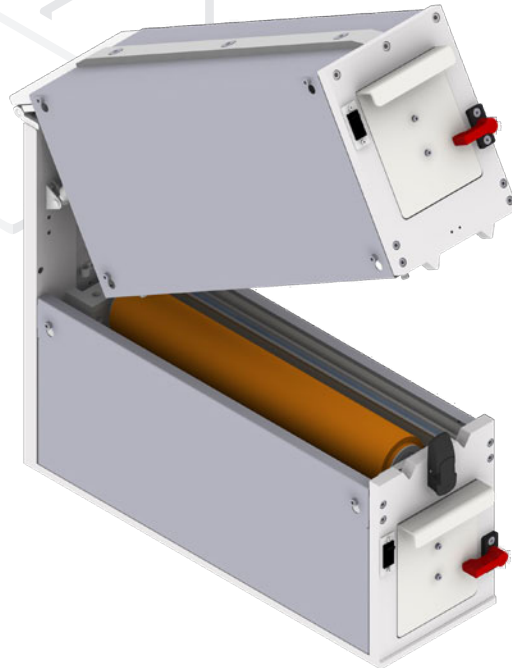


Kelva CWC®

Single- and Double Sided Contact Cleaner



Efficient, durable, reliable...

- From the Inventors of Web Cleaning

- Longlasting, silicon-free elastomer rollers
- Permanent stickiness, integrated anti-statics
- Increased roller diameter, for improved high speed performance and stability
- Continuous cleaning
- Side pull-out of adhesive rollers for layer change
- Wide range of sizes from 250 to 1.000 mm
- Improved performance and functionality
- High machine speeds

Kelva's latest Contact Web Cleaner is suitable for web speeds up to 350m/min, from 250 mm to 1.000 mm.

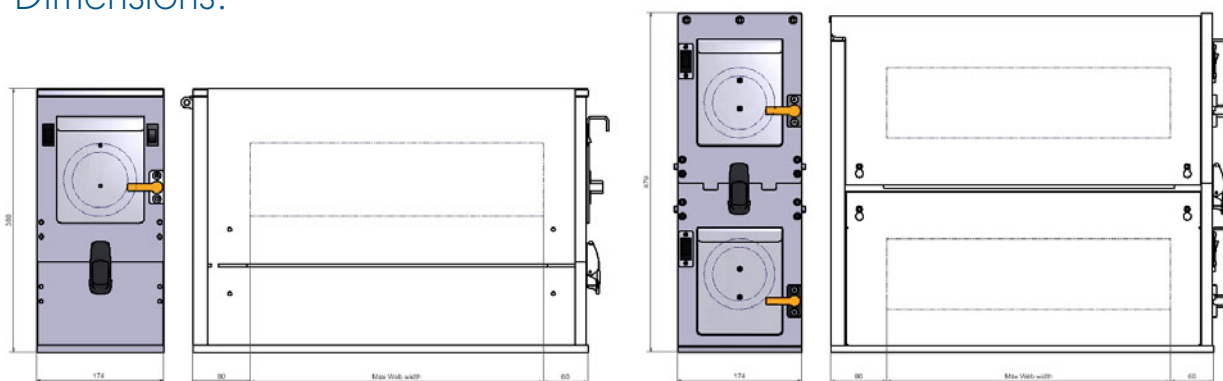
It's crocodile opening allows easy web threading and access for cleaning of the elastomer rollers.

Side access allows continuous cleaning, even when adhesive rollers are changed.

The static discharger prevents the web from retracting dust after cleaning.

Product name	KELVA Contact Web Cleaner (CWC®)
Application	Web widths from 250 to 1.000 mm - labelprinting, film, glass - Continuous application
Max. web speed	350 m/min
Power	24 VAC 110/240 VAC 50/60 Hz for anti-static device
Pneumatic requirement	5 bar
Standard	Pull-out function for side access to the adhesive rollers Crocodile opening Continuous cleaning during change of adhesive roll
Operation	Integrated push buttons or separate control cabinet
Options	Double or single sided with counter roller Separate control cabinet

Dimensions:



Model	Web width	Total Width
CWC - 250	250 mm	390 mm
CWC - 300	300 mm	440 mm
CWC - 350	350 mm	490 mm
CWC - 400	400 mm	540 mm
CWC - 450	450 mm	590 mm
CWC - 500	500 mm	640 mm
CWC - 550	550 mm	690 mm
CWC - 600	600 mm	740 mm
CWC - 650	650 mm	790 mm
CWC - 700	700 mm	840 mm
CWC - 750	750 mm	890 mm
CWC - 800	800 mm	940 mm
CWC - 850	850 mm	990 mm
CWC - 900	900 mm	1040 mm
CWC - 950	950 mm	1090 mm
CWC - 1000	1000 mm	1140 mm