

KELVA Pumps

IP-S, IP-D



Improved Quality

– With Kelva's Versatile Pump in Several Configurations

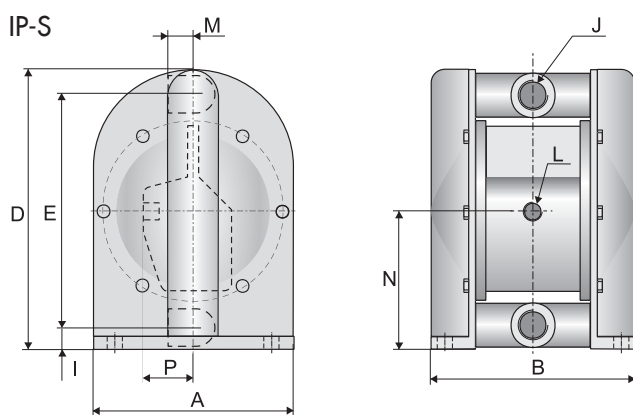
- Available as single or double
- Choose between 25 or 70 liters/min
- Turnable in- and outlet ports
- ATEX approved

Kelva IP double acting, pneumatic diaphragm pumps are specially designed for pumping flexo ink, gravure ink, glue and solvents, with maximum capacity of 25 or 70 liters per minute.

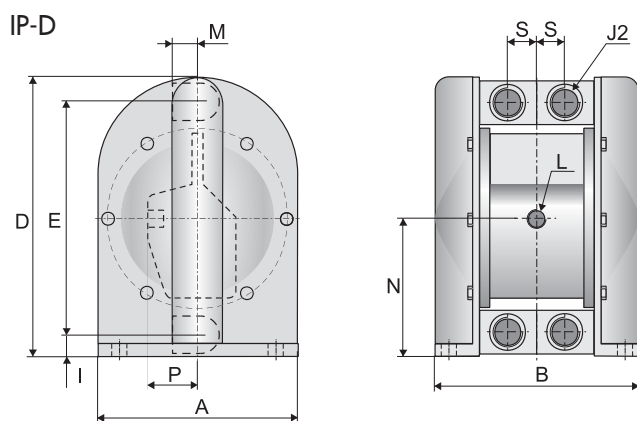
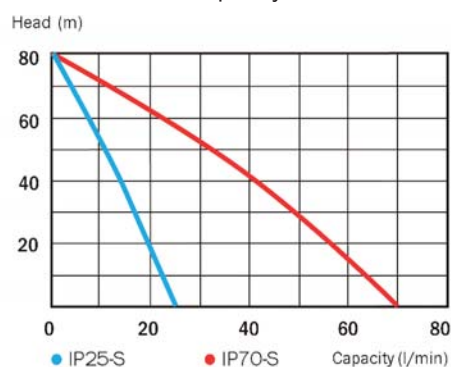
Available connected as two coupled single pumps or one double pump.

Product name	Kelva Ink Pump (IP)
Types	IP25-S, IP25-D, IP70-S, IP70-S*
Application	Flexo ink, gravure ink, glue and solvents
Material pump hoising	PTFE coated aluminium
Diaphragm	PTFE
Max pump pressure	8 bar
Max air pressure	8 bar

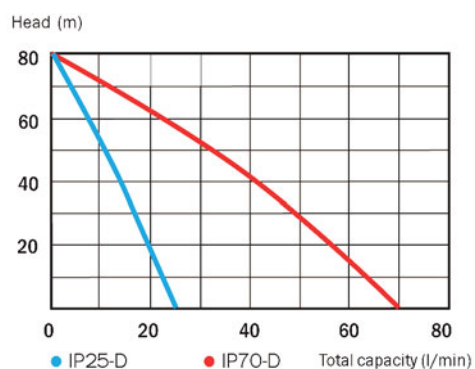
* number stands for liters/min



Total head and capacity



Total head and capacity



DIMENSIONS

	A	B	D	J	J2
IP25-S	105	116	160	1/2"	-
IP70-S	150	168	229	3/3"	-
IP25-D	105	116	160	3/8"	1/8"
IP70-D	150	168	229	1/2"	1/4"