

KELVA LF Pumps

Liquid Flow - LF15, LF30, LF60, LF120



Improved Quality

– With Kelva's LF-Pump - The Economic Solution

- Less pulsation (-70%)
- Lower air consumption (-30-50%) and maintenance costs
- Longer diaphragm lifetime - less downtime
- Built-in sound muffler
- ATEX approved

Kelva LF Pump has a revolutionising air valve design and central flow technique. It has compact design and has total flexibility in mounting positions. The Kelva LF, thanks to the central flow, the more efficient air motor, new flap valve design and flexible diaphragm suspension heavily reduces both pulsation and noise.



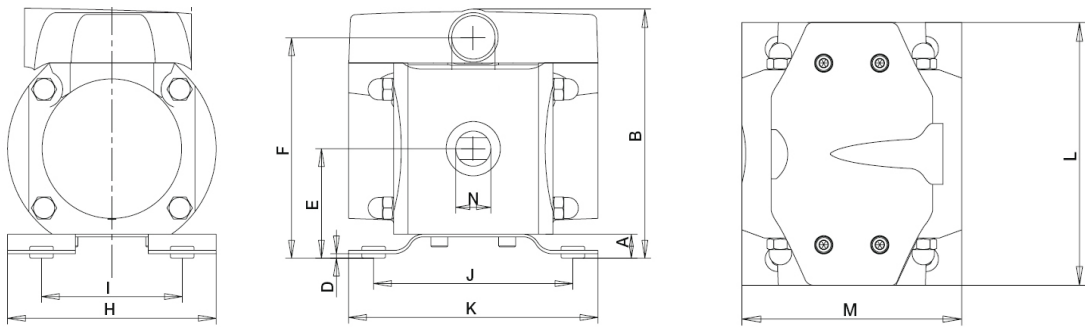
WWW.KELVA.SE

PRODUCT DESCRIPTION

Product name	Kelva Liquid Flow Pump (LF)
Types	LF15, LF30, LF60 or LF120*
Applications	Ink, glue, solvents, resin, paint, wood preservatives, varnish, stain, latex, acetone, turpentine, acids, alkalies, suspensions, stabilisers, resins, waste recovery, caustic soda, dispersions
Max air pressure	Max 6 Bar

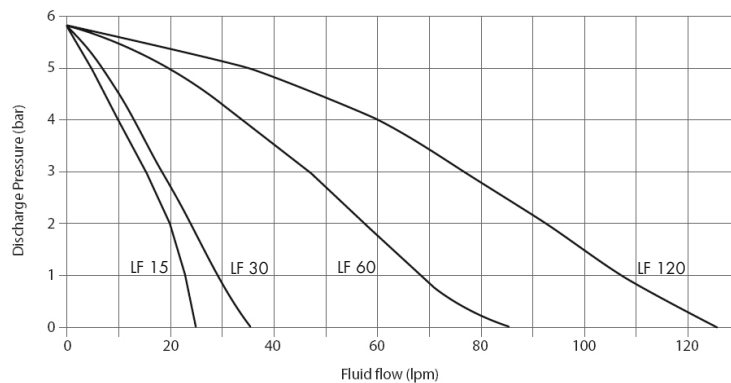
* number stands for liters/min

OVERALL DIMENSIONS



Size	B	I	J	L	M	N
LF15	145	101	118	147	123	1/4"
LF30	145	101	118	147	123	1/2"
LF60	164	101	118	147	141	3/4"
LF120	210	134	148,5	170	184	1 1/4"

Capacity normal LF



HEAD OFFICE

AB KELVA
Box 88
SE-221 00 Lund
Sweden
Phone: +46 46 16 07 00
Fax: +46 46 30 49 13
kelva@kelva.se

KELVA BV - BENELUX

KELVA B.V.
Ruimteveg 5
3542 DW Utrecht
The Netherlands
Phone: +31 302 630 438
Fax: +31 302 630 624
kelva@kelva.se

GERMANY - OFFICE NORTH

Am Elfengrund 5
D-642 97 Darmstadt
Germany
Phone: +49 6151 951 86 16
Fax: +49 6151 951 86 17
lothar.lindenkreuz@kelva.se

GERMANY - OFFICE SOUTH

Winkelhaiderstr. 42a
D-905 37 Feucht
Germany
Phone: +49 9128 724 11 19
Fax: +49 9128 724 11 21
ralf.schuessler@kelva.se

WWW.KELVA.SE